

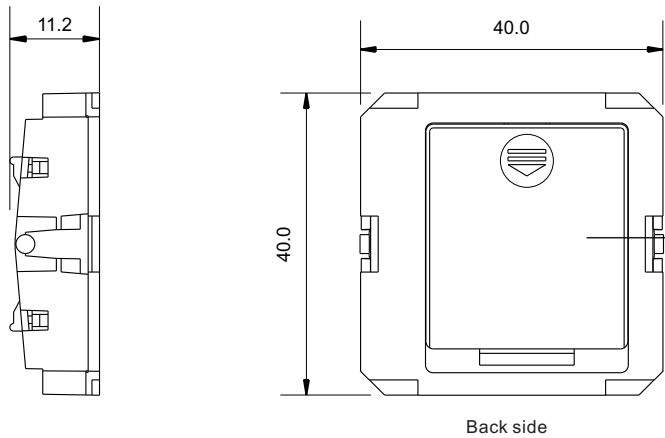
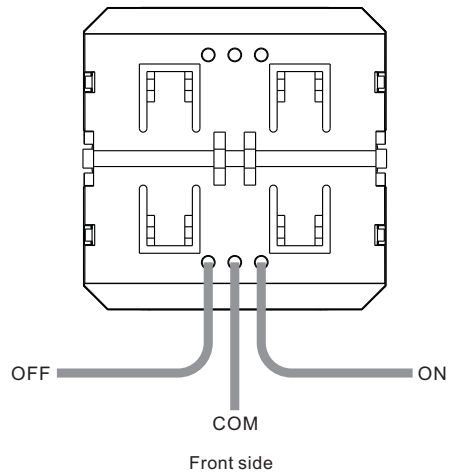
RF Converter Module

09.2801P.04109



Important: Read All Instructions Prior to Installation

Function introduction



Battery: CR2430
Before the first use, please open the battery cover and remove the protective film

Product Data

Output	RF signal
Operation Frequency	868/869.5/434MHz
Power Supply	3V(1xCR2430 battery)
Operating temperature	0-40°C
Relative humidity	8% to 80%
Dimensions	40x40x11.2mm

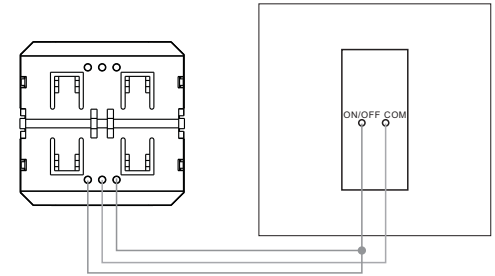
- Convert the push switch to be a RF remote dimmer switch
- Control 1 zone
- Single color controller
- Compatible with all universal series RF receivers
- 1 receiver can be paired by max 8 different remote controls.
- Waterproof grade: IP20

Safety & Warnings

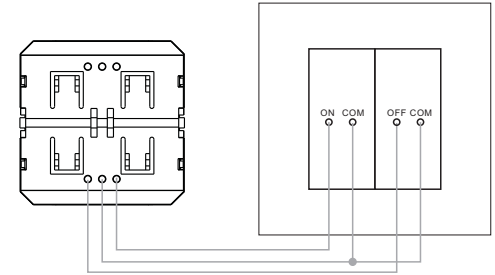
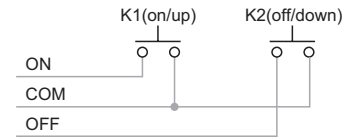
- This device contains a button lithium battery that shall be stored and disposed properly.
- DO NOT expose the device to moisture.

Wiring diagram

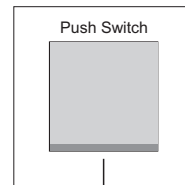
With 1 key push switch



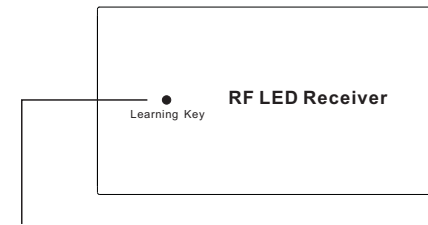
With 2 keys push switch



Pair with RF receivers



Step 1: Do wiring the RF remote and receiver according to wiring diagram (please refer to the instruction of RF receiver that you would like to pair with).



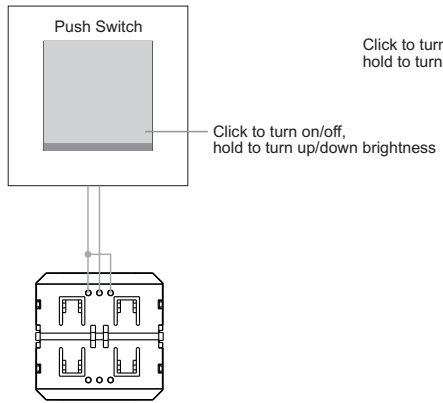
Step 2: Click the "Learning Key" button on RF receiver or re-power on the receiver three times continuously to set it into pairing status

Step 3: Click the push button (If use double keys push switch, click any push button), LED lights connected with the RF receiver flicker once means the receiver is paired with the remote successfully.

Note: one receiver can be paired with max 8 remote controls.

Dim with push switch:

1 key version



Double keys version

