

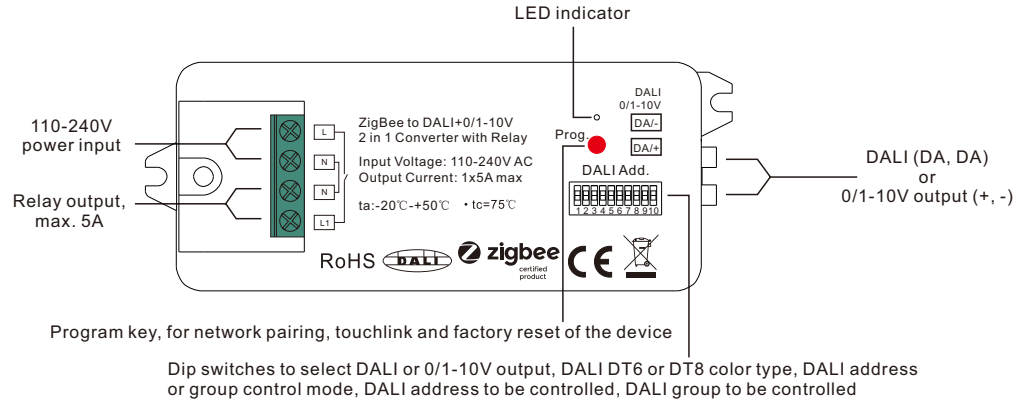
Zigbee to DALI+0/1-10V 2 in 1 Converter

09.2421ZGTY.04791



Important: Read All Instructions Prior to Installation

Function introduction



Product Data

Input		Output, DALI		Output, 0/1-10V	Output, relay		Environment		Others
Power	Signal	DALI PS current	DALI current consumption	Current	Switching voltage	Current	Operating temperature	Relative humidity	Dimensions
110-240VAC	Zigbee 2.4GHz	Max. 50mA	Max. 4mA	Max. 20mA	110-240VAC	Max. 5A	-20°C~+50°C	8% to 80%	95x37x20mm

- Zigbee to DALI+0/1-10V 2 in 1 converter based on zigbee 3.0
- Zigbee signal input, DALI signal output to DALI line or 0/1-10V signal output, 110-240VAC power input
- With max. 5A relay output and metering function
- Compatible with Tuya Zigbee gateway and controlled through Tuya Smart App
- DALI signal or 1-10V signal output selectable by DIP switch
- Built-in DALI bus power supply, no extra DALI bus PS required
- With max. 50mA DALI bus power current output
- To supply control current to up to 25 DALI control gears
- DALI DT6 or DT8 device type selectable by DIP switch under DALI mode
- Color control according to DALI specifications of Device Type 8,
- Color type: Tc, XY coordinates, RGBW selectable by DIP switches
- DALI address control mode or group control mode selectable by DIP switch
- Enables to select the DALI address (00-63) to be controlled by DIP switches
- Enables to select the DALI group (0-15) to be controlled by DIP switches
- Enable to control 1 DALI Group of devices or 1 DALI Address on DALI line
- Enable to control all devices on DALI line via broadcast
- Waterproof grade: IP20

Safety & Warnings

- DO NOT set the DIP switches with power applied to the device.
- DO NOT install with power applied to device.
- DO NOT expose the device to moisture.

Operation

1) Select DALI or 0/1-10V Output Using Dial Switch 10



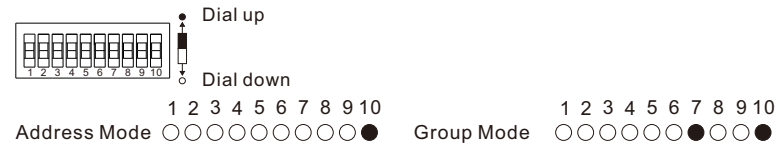
Note: please first select output signal by the dial switch.

2) Select DALI Device Type (DT6/DT8 Color Type) to be Controlled Using Dial Switches 8-9



Note: once DALI output is selected, please then select the DALI device type you would like to control by the dial switches.

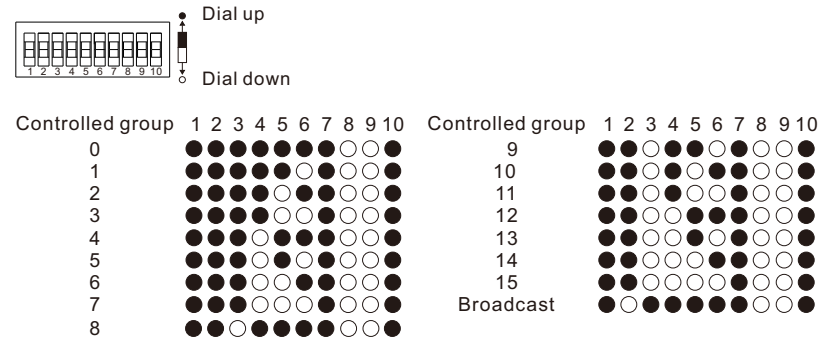
3) Select DALI Address or Group Control Mode Using Dial Switch 7



Note: once DALI device type is selected, please then select address control mode or group control mode by dial switch.

4) Select the DALI Group to be Controlled Using Dial Switches 2-6

Note: here device type is selected as DIM as an example, please select your correct DALI device type.



- Note:**
- 1) once DALI device type and group control mode are selected, please then select the DALI group (0-15 selectable) to be controlled on DALI line by dial switches.
 - 2) The control gears that are assigned to the selected DALI group on DALI line will be controlled.
 - 3) The control gears shall be first grouped by a DALI master controller, please refer to the user manual of corresponding master controller.

5) Select the DALI Address to be Controlled Using Dial Switches 1-6

Note: here device type is selected as DIM as an example, please select your correct DALI device type.



Controlled address	1	2	3	4	5	6	7	8	9	10	Controlled address	1	2	3	4	5	6	7	8	9	10	
00	●	●	●	●	●	○	○	○	○	○	32	○	○	○	○	○	○	○	○	○	○	○
01	●	●	●	○	○	○	○	○	○	○	33	○	○	○	○	○	○	○	○	○	○	○
02	●	●	○	○	○	○	○	○	○	○	34	○	○	○	○	○	○	○	○	○	○	○
03	●	●	○	○	○	○	○	○	○	○	35	○	○	○	○	○	○	○	○	○	○	○
04	●	○	○	○	○	○	○	○	○	○	36	○	○	○	○	○	○	○	○	○	○	○
05	●	○	○	○	○	○	○	○	○	○	37	○	○	○	○	○	○	○	○	○	○	○
06	●	○	○	○	○	○	○	○	○	○	38	○	○	○	○	○	○	○	○	○	○	○
07	●	○	○	○	○	○	○	○	○	○	39	○	○	○	○	○	○	○	○	○	○	○
08	●	○	○	○	○	○	○	○	○	○	40	○	○	○	○	○	○	○	○	○	○	○
09	●	○	○	○	○	○	○	○	○	○	41	○	○	○	○	○	○	○	○	○	○	○
10	●	○	○	○	○	○	○	○	○	○	42	○	○	○	○	○	○	○	○	○	○	○
11	●	○	○	○	○	○	○	○	○	○	43	○	○	○	○	○	○	○	○	○	○	○
12	●	○	○	○	○	○	○	○	○	○	44	○	○	○	○	○	○	○	○	○	○	○
13	●	○	○	○	○	○	○	○	○	○	45	○	○	○	○	○	○	○	○	○	○	○
14	●	○	○	○	○	○	○	○	○	○	46	○	○	○	○	○	○	○	○	○	○	○
15	●	○	○	○	○	○	○	○	○	○	47	○	○	○	○	○	○	○	○	○	○	○
16	●	○	○	○	○	○	○	○	○	○	48	○	○	○	○	○	○	○	○	○	○	○
17	●	○	○	○	○	○	○	○	○	○	49	○	○	○	○	○	○	○	○	○	○	○
18	●	○	○	○	○	○	○	○	○	○	50	○	○	○	○	○	○	○	○	○	○	○
19	●	○	○	○	○	○	○	○	○	○	51	○	○	○	○	○	○	○	○	○	○	○
20	●	○	○	○	○	○	○	○	○	○	52	○	○	○	○	○	○	○	○	○	○	○
21	●	○	○	○	○	○	○	○	○	○	53	○	○	○	○	○	○	○	○	○	○	○
22	●	○	○	○	○	○	○	○	○	○	54	○	○	○	○	○	○	○	○	○	○	○
23	●	○	○	○	○	○	○	○	○	○	55	○	○	○	○	○	○	○	○	○	○	○
24	●	○	○	○	○	○	○	○	○	○	56	○	○	○	○	○	○	○	○	○	○	○
25	●	○	○	○	○	○	○	○	○	○	57	○	○	○	○	○	○	○	○	○	○	○
26	●	○	○	○	○	○	○	○	○	○	58	○	○	○	○	○	○	○	○	○	○	○
27	●	○	○	○	○	○	○	○	○	○	59	○	○	○	○	○	○	○	○	○	○	○
28	●	○	○	○	○	○	○	○	○	○	60	○	○	○	○	○	○	○	○	○	○	○
29	●	○	○	○	○	○	○	○	○	○	61	○	○	○	○	○	○	○	○	○	○	○
30	●	○	○	○	○	○	○	○	○	○	62	○	○	○	○	○	○	○	○	○	○	○
31	●	○	○	○	○	○	○	○	○	○	63	○	○	○	○	○	○	○	○	○	○	○

Note: 1) once DALI device type and address control mode are selected, please then select the DALI address (00-63 selectable) to be controlled on DALI line by dial switches.
2) The control gear with the selected DALI address on DALI line will be controlled.

6. ZigBee Clusters the device supports are as follows:

Input Clusters

- 0x0000: Basic
- 0x0003: Identify
- 0x0004: Groups
- 0x0005: Scenes
- 0x0006: On/off
- 0x0008: Level Control
- 0x0300: Color Control
- 0x0b05: Diagnostics

Output Clusters

- 0x0019: OTA

7. Do wiring according to connection diagram correctly.

8. This ZigBee device is a wireless receiver that communicates with a variety of ZigBee compatible systems. This receiver receives and is controlled by wireless radio signals from the compatible ZigBee system.

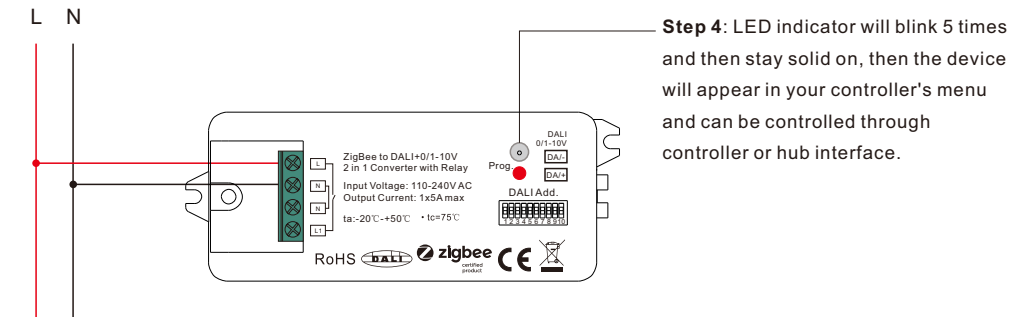
9. Zigbee Network Pairing through Coordinator or Hub (Added to a Zigbee Network)

Step 1: Remove the device from previous zigbee network if it has already been added to, otherwise pairing will fail. Please refer to the part "Factory Reset Manually".

Step 2: Connect your Tuya Zigbee gateway correctly and download Tuya Smart App on your smart phone.

Step 3: From your Tuya ZigBee gateway interface, choose to add lighting device and enter Pairing mode as instructed by the gateway. Please refer to the user manual of Tuya zigbee gateway.

Step 4: Short press "Prog." key for 5 times continuously to set it into network pairing mode, network pairing mode lasts 180S, once timeout, repeat this step.



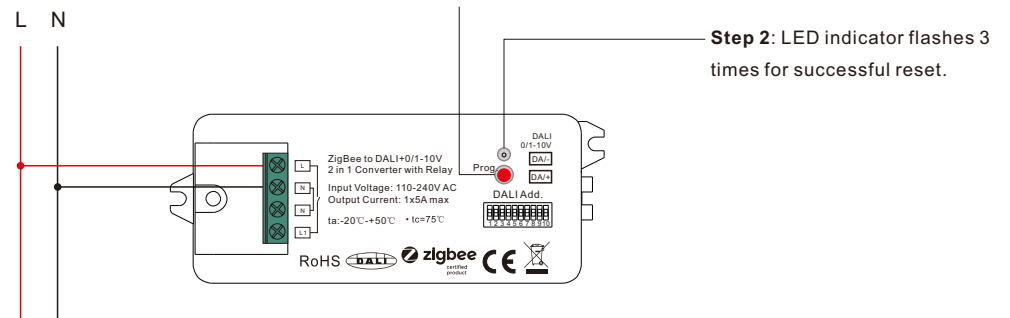
Step 4: LED indicator will blink 5 times and then stay solid on, then the device will appear in your controller's menu and can be controlled through controller or hub interface.

10. Removed from a Zigbee Network through Coordinator or Hub Interface

From your Tuya ZigBee gateway interface, choose to delete or reset the lighting device as instructed. Please refer to the user manual of Tuya zigbee gateway. The LED indicator blinks 3 times to indicate successful reset.

11. Factory Reset Manually

Step 1: Short press "Prog." key for 5 times continuously.

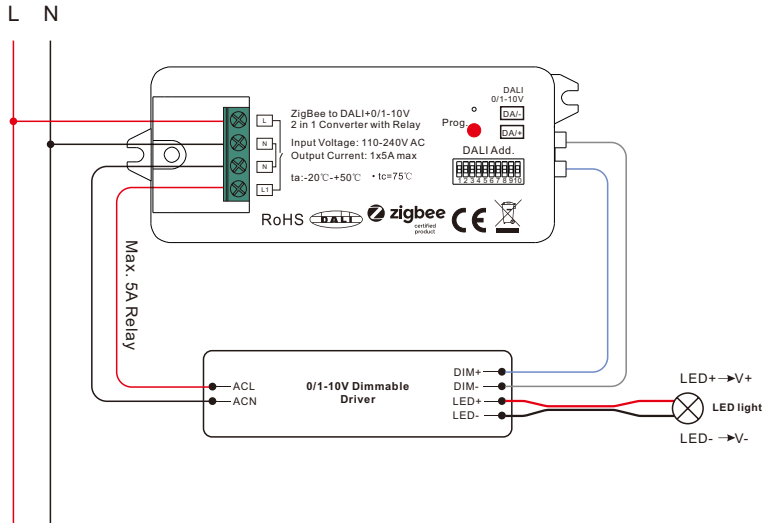


Step 2: LED indicator flashes 3 times for successful reset.

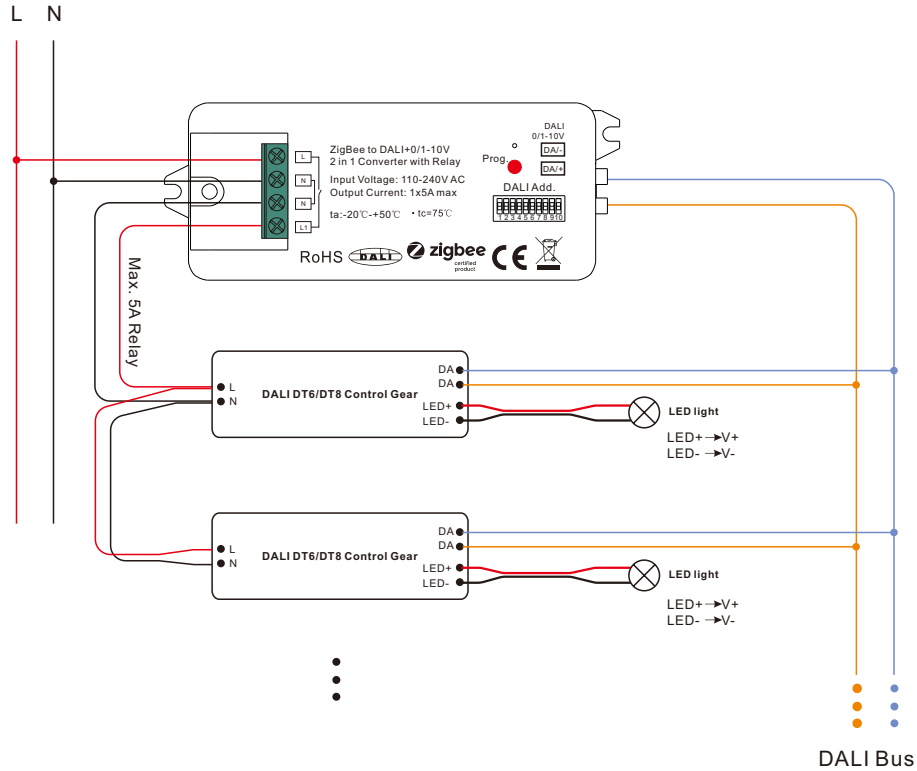
Note: 1) If the device is already at factory default setting, there is no indication when factory reset again.
2) All configuration parameters will be reset after the device is reset or removed from the network.

Wiring Diagram

When 0/1-10V Output Selected



When DALI Output Selected



- Note:** 1) Max. 50mA DALI bus PS output to supply control current to up to 25 control gears.
2) The max. load of the relay is 5A, and the number of control gear can be switched by the relay depends on the load of each control gear.