

# 715 XS VALVE WITH SA / SA-X05 ELECTRIC ACTUATOR

## CHARACTERISTICS

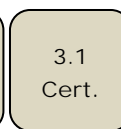
The stainless steel 715XS+SA05 2-way ball valve is dedicated to the automatic shut-off of uncharged industrial fluids. This full bore ball valve has an antistatic device and is certified according to the EC and ATEX standards (with SA-X). The ISO 5211 pad enables the direct mounting of the SA05 electric actuator. It is perfectly adapted for an indoor or outdoor industrial use.

## AVAILABLE ITEMS

1.4408 stainless steel (A351 CF8M) body  
Size ½" to 2"

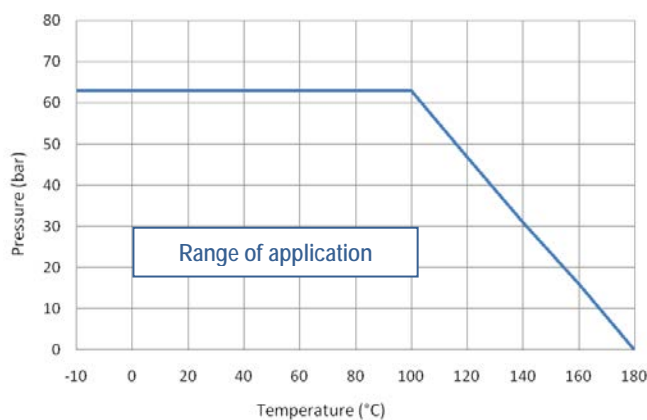
BSP threaded connections

Voltages: 12 V DC, 24 V AC/DC, 230 V AC



## LIMITS OF USE

Max. allowable pressure (PS)	63 bar (20 °C)
Min./max. allowable temperature (TS)	-10 °C / +180 °C
Room temperature	-20 °C / +70 °C
Service	S2 – 70%



## DIRECTIVES AND DEVELOPMENT STANDARDS APPLICABLE

	Standard	Notified bodies		Standard
97/23/EC Pressure Equipment Directive	½" and ¾" : excluded		Valve testing	EN 12266
	1" to 2" : category III	TÜV #0035	Material certificate	EN 10204
Size	EN 12516-1		Actuator attachment	ISO 5211
Alloy grade	EN 1503-1			
ATEX Directive	Valve	SIRA #0518	II 2G/D Tx for zones 1,2,21 and 22	
	Actuator (SA-X option)	KEMA #0344	II 2G EEx d II C T4 for zones 1 and 2	

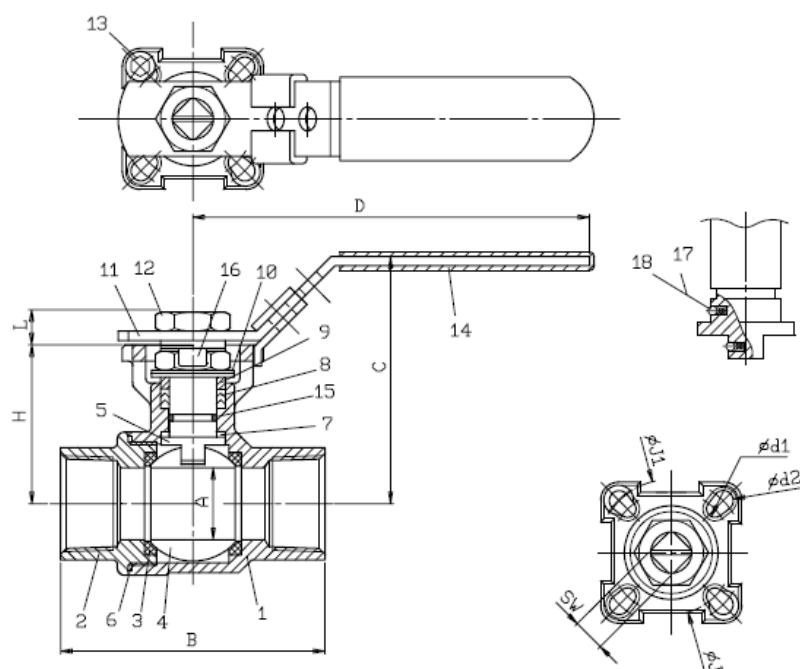
The following data is for information purpose only and may be subject to alteration without prior notice

	SECTORIEL S.A. 45, rue du Ruisseau 38290 Saint Quentin-Fallavier – FRANCE Tel.: +33 474 94 90 70 – Fax: +33 474 94 13 95 <a href="http://www.sectoriel.fr">www.sectoriel.fr</a> / email: sectoriel@sectoriel.fr	Nbr. pages	1/3
		Ref.	715XS+SA05 GB
		Rev.	1
		Date	03/2012

# 715 XS VALVE WITH SA / SA-X05 ELECTRIC ACTUATOR

## CONSTRUCTION


#	Item	Material	#	Item	Material
1	Body	Stainless steel A351 CF8M /1.4408	11	Lever	Stainless steel 304
2	End cap	Stainless steel A351 CF8M /1.4408	12	Nut	Stainless steel 304
4	Seats	PTFE+15% Graphite	13	End stop	Stainless steel 304
5	Stem	Stainless steel 316	14	Sleeve	PVC
6	Body gasket	PTFE	15	O-ring	FKM
7	Washer	PTFE	16	Sliding block	Stainless steel 304
8	Gland packing	PTFE	17	Antistatic device	Stainless steel 316
9	Washer	Stainless steel 304	18	Spring	Stainless steel 316
10	Belleville spring washer	Stainless steel 301			



## DIMENSIONS (mm)

DN	A	B	C	D	H	L	J	J1	d1	d2	SW
½"	15	55	70.9	110	42.3	8	42	50	6	7	9
¾"	20	76	73.4	110	44.9	8	42	50	6	7	9
1"	24.5	83	84.1	135	54	10	42	50	6	7	11
1" ¼	32	91	89.3	165	59.2	10	50	70	7	9	11
1" ½	38	103	109.5	165	71.3	10	50	70	7	9	11
2"	50	120	118.9	165	82.9	14.8	50	70	7	9	14
2" ½	65	155	155	300	107	17.1	70	102	9	11	17
3"	80	182	165	335	117	17.1	70	102	9	11	17

The following data is for information purpose only and may be subject to alteration without prior notice

	SECTORIEL S.A. 45, rue du Ruisseau 38290 Saint Quentin-Fallavier – FRANCE Tel.: +33 474 94 90 70 – Fax: +33 474 94 13 95 <a href="http://www.sectoriel.fr">www.sectoriel.fr</a> / email: sectoriel@sectoriel.fr	Nbr. pages	2/3
		Ref.	715XS+SA05 GB
		Rev.	1
		Date	03/2012

# 715 XS VALVE WITH SA / SA-X05 ELECTRIC ACTUATOR

## ELECTRIC ACTUATION WITH SA05

Suggested standard SA05 actuation under the following conditions:

- Electric actuator with an IP 67 epoxy coated aluminium enclosure and steel gears
- A minimum 1.3 safety factor compared with the valve nominal torque rating,
- A maximum pressure differential up/downstream of 10 bar (=ΔP)

Direct mounting of the electric actuator






DN	Actuator	Power	Intensity 230 V AC	Intensity 24 V AC/DC	Operating Time*	Standard equipment of the actuator
½"	SA05	6 W	28 mA	1.8 mA	17 s	2 adjustable limit switches 2 dry auxiliary switches 2 W anti-condensation heater Actuator thermal cut-out Manual override by key Backlit position indicator Electrical connection: 2 gland packs. M20x1.5
¾"	SA05	6 W	28 mA	1.8 mA	17 s	
1"	SA05	6 W	28 mA	1.8 mA	17 s	
1" ¼	SA05	6 W	28 mA	1.8 mA	17 s	
1" ½	SA05	6 W	28 mA	1.8 mA	17 s	
2"	SA05	6 W	28 mA	1.8 mA	17 s	

\*Unloaded operating time given for information purpose only. May vary depending on the medium

For any other working conditions, please contact us.

## ACTUATION OPTIONS

There are many different options, please contact our commercial department.


1	2	3	4	5
SA05S: Slow closing electric actuator 70 s	SA05PCU: Regulation actuator 4-20 mA or 0-10 V	SA05RBP: Safety actuator with an integrated battery emergency shutdown	SA05X: Actuator for use in ATEX zones 1 and 2	SR05: Safety spring return actuator
				
6	SAPUI electric actuator with feedback potentiometer			
7	Thermal dispersion bracket for high temperature fluids			
8	100 mm stem extension for pipe insulation (see 500HC model)			
9	Electric actuator sized for a maximum pressure differential up/downstream over 10 bar (=ΔP)			
10	NA electric actuator with a declutchable manual override by handwheel			

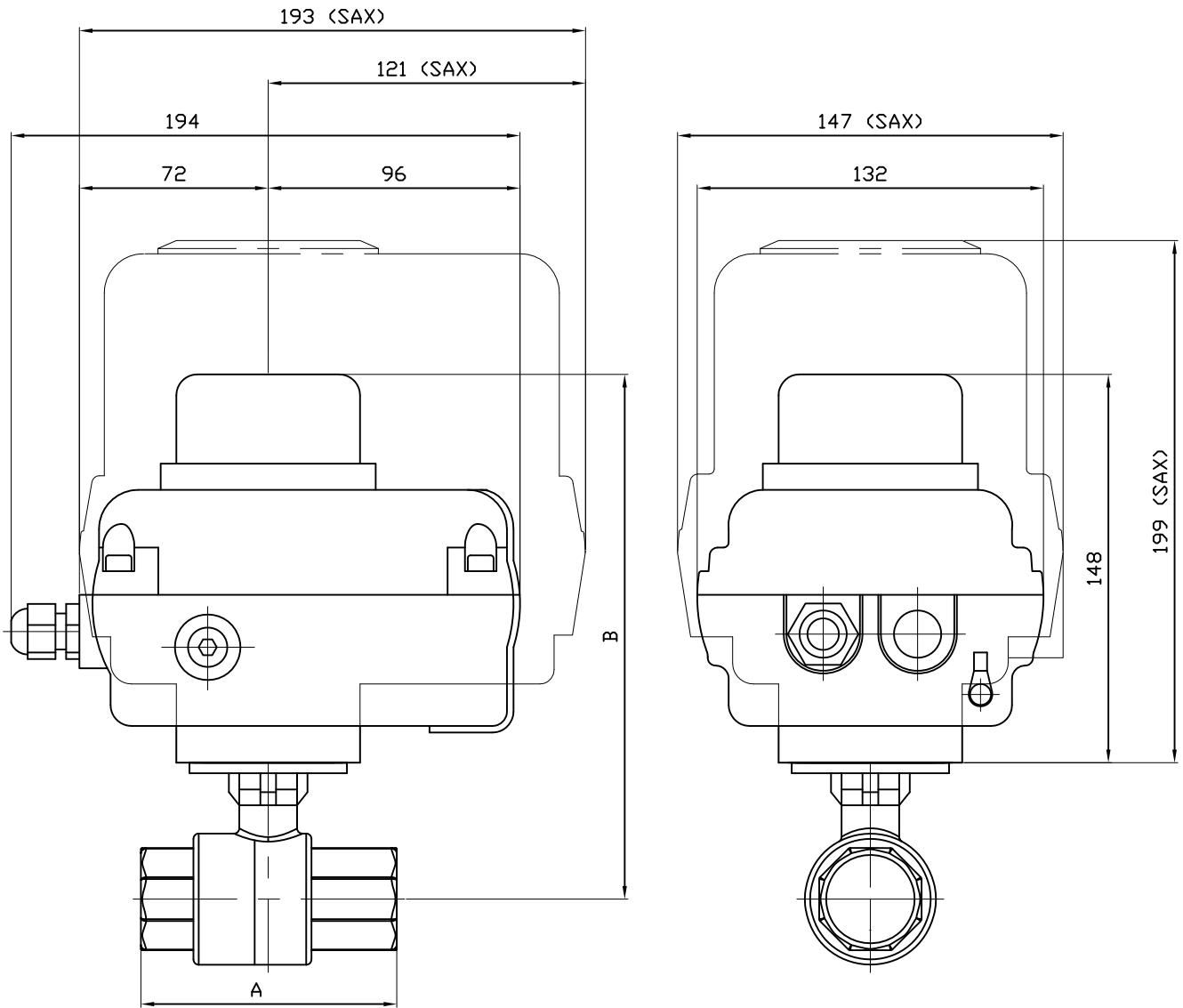
## ATEX ZONES INSTALLATION

It is compulsory to specify if the installation of the automatic valve 715XS+SA-X will take place in ATEX zones 1 or 2 while making the order. Our services will proceed to the mounting check, to a grounding strip installation and will edit a mounting certificate. Those operations are performed by our proper engineers. Please contact us for further details. It is also compulsory to follow the ATEX zone mounting and maintenance special instructions for motorized valves. The ATEX gland packs and sealing plugs are not provided. Please use the following codes:

ATEX aluminium gland pack M20x1.5	Code 980179	ATEX aluminium sealing plugs M20x1.5	Code 980180
-----------------------------------	-------------	--------------------------------------	-------------


The following data is for information purpose only and may be subject to alteration without prior notice

	SECTORIEL S.A. 45, rue du Ruisseau 38290 Saint Quentin-Fallavier – FRANCE Tel.: +33 474 94 90 70 – Fax: +33 474 94 13 95 <a href="http://www.sectoriel.fr">www.sectoriel.fr</a> / email: <a href="mailto:sectoriel@sectoriel.fr">sectoriel@sectoriel.fr</a>	Nbr. pages	3/3
		Ref.	715XS+SA05 GB
		Rev.	1
		Date	03/2012



DN	1/2"	3/4"	1"	1 1/4"	1 1/2"	2"
A	57	71	83	91	104	123
B	190.3	193	202	207	219.3	231
B(SAX)	241.3	244	253	258	270.3	282
KG	3.27	3.44	3.87	4.35	5.32	6.94
KG(SAX)	5.47	5.64	6.07	6.55	7.52	9.14

Informations données à titre indicatif et sous réserve de modifications éventuelles  
data subject to alteration

				Ajout SA05X et poids	22/02/2012	A
Ech: /	Date :27/09/2006	Dessiné par : LL	Tolérances générales : +/- 0.2	Modifications	Date	REV.
<b>ROBINET A TOURNANT SPHERIQUE 715XS/BALL</b> <b>VALVE 715XS +</b> <b>SERVOMOTEUR SA05-SA05X / ELECTRIC ACTUATOR</b> <b>SA05-SA05X</b>				Matière :		
				Poids (Kg) :		
 45, Rue du Ruisseau 38297 SAINT QUENTIN FALLAVIER				Traitement : SANS		
				Plan n° Ens 964A		

# ELECTRIC ACTUATOR SA05

## GENERAL DESCRIPTION

The SA05 electric actuator is dedicated to the actuation of industrial ¼ turn valve. The torque value is 50 Nm. With a compact design, an IP 67 cast aluminium enclosure and an epoxy protection, the SA electric actuator is especially adapted to the actuation of ball valves and butterfly valves in outdoor or indoor areas. The SA05 is equipped with a visual 3D position indicator and a manual override driven by an Allen key. It complies with the EN 15714-2 standard.

## AVAILABLE ITEMS

Voltage: 230 V AC (50-60 Hz), 24 V AC/DC and 12 V DC

IP 67

ISO  
9001



## LIMITS OF USE

Protection rating	IP 67
Temperature range	-20 °C / +70 °C
Service	S2 - 70%

## MECHANICAL CHARACTERISTICS

Gears	Treated steel pinions
Torque	50 Nm
Rotation angle	90° +/-5°
Decutching	N/A
Manual override	Allen key (except for SA05S)



Electric actuator	SA05			SA05S	
Voltage	230 V AC	24 V AC/DC	12 V DC	230 V AC	24 V AC/DC
Torque	50 Nm				
Operating time	17 s	17 s	17 s	100 s	100 s
ISO 5211 pad	F03/F05/F17 star 14				

## ELECTRICAL CHARACTERISTICS

Motor protection	Thermal cut-out	Anti-condensation	2 W heater
Limit switches	2 adjustable switches	Electrical connection	2 gland packs M20x1.5
Auxiliary switches	2 adjustable dry switches		

Electric actuator	SA05			SA05S	
Voltage	230 V AC	24 V AC/DC	12 V DC	230 V AC	24 V AC/DC
Power	6 W	15 W	15 W	6 W	6 W
Intensity	0.24 A	1.8 A	3.6 A	0.24 A	1.8 A

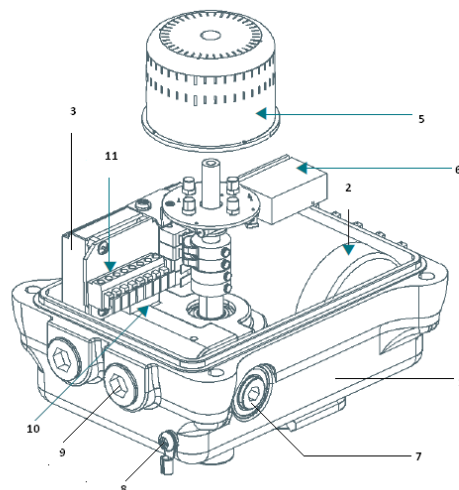
The following data is for information purpose only and may be subject to alteration without prior notice

	SECTORIEL S.A. 45, rue du Ruisseau 38290 Saint Quentin-Fallavier – FRANCE Tel.: +33 474 94 90 70 – Fax: +33 474 94 13 95 <a href="http://www.sectoriel.fr">www.sectoriel.fr</a> / email: <a href="mailto:sectoriel@sectoriel.fr">sectoriel@sectoriel.fr</a>	Pages	1/3
		Ref.	FT23010 GB
		Rev.	7
		Date	06/2012

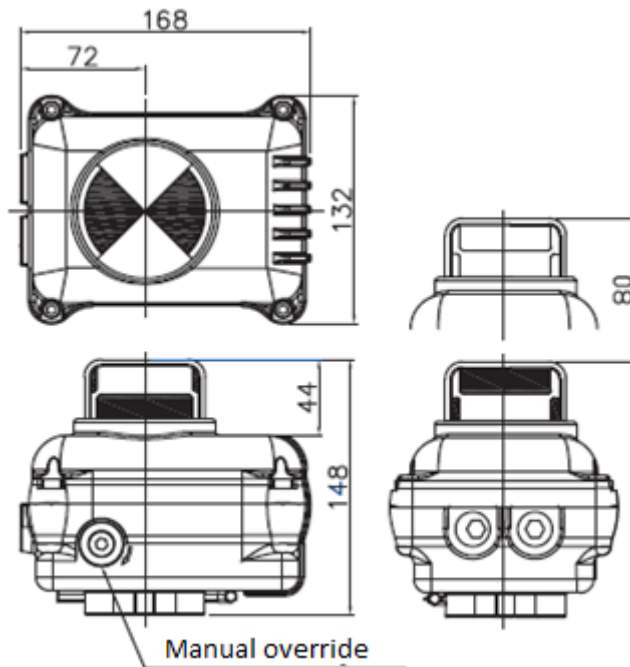
# ELECTRIC ACTUATOR SA05

## CONSTRUCTION


1	Enclosure	Polyester coated aluminium
2	Electric motor	
3	Gear	Treated steel pinions
4	Cover	Polyester coated aluminium
5	Position indicator	Polycarbonate plastic
6	Condenser	
7	Manual override	
8	Connection to ground	
9	Cable inlet	
10	Anti-condensation heater	
11	Terminal block	



## DIMENSIONS (mm)



The following data is for information purpose only and may be subject to alteration without prior notice

	SECTORIEL S.A. 45, rue du Ruisseau 38290 Saint Quentin-Fallavier – FRANCE Tel.: +33 474 94 90 70 – Fax: +33 474 94 13 95 <a href="http://www.sectoriel.fr">www.sectoriel.fr</a> / email: sectoriel@sectoriel.fr	Pages	2/3
		Ref.	FT23010 GB
		Rev.	7
		Date	06/2012

# ELECTRIC ACTUATOR SA05

## WIRING SCHEME 230 V AC

1	Common	<p>                     CLS : CLOSE LIMIT SWITCH (250VCA 3A)                      OLS : OPEN LIMIT SWITCH (250VCA 3A)                      ACLS : AUX. CLOSE LIMIT SWITCH (250VCA 3A)                      AOLS : AUX. OPEN LIMIT SWITCH (250VCA 3A)                      TP : THERMAL PROTECTOR                 </p>
2	Anti-condensation heater	
3	Closing control	
4	Opening control	
5	Auxiliary switch closing	
6	Auxiliary switch closing	
7	Auxiliary switch opening	
8	Auxiliary switch opening	

## WIRING SCHEME 24 V AC/DC

1	Common or +	<p>                     CLS : CLOSE LIMIT SWITCH (250VCA 3A)                      OLS : OPEN LIMIT SWITCH (250VCA 3A)                      ACLS : AUX. CLOSE LIMIT SWITCH (250VCA 3A)                      AOLS : AUX. OPEN LIMIT SWITCH (250VCA 3A)                      TP : THERMAL PROTECTOR                      RM : MOTOR REGULATION                 </p>
2	Closing control	
3	Opening control	
4	Auxiliary switch closing	
5	Auxiliary switch opening	
6	Auxiliary common	
7-8	Anti-condensation heater power supply	

## OPTIONS

1	SA05X: ATEX area version
2	SA05PIU: feedback potentiometer version
3	SA05CPT: 4-20 mA position transmitter version
4	SA05PCU: 0-10, 2-10 V, 2-20 mA, 4-20 mA regulation card version
5	SA05LCU: local control version
6	SA05RBP: integrated battery emergency shutdown device version

The following data is for information purpose only and may be subject to alteration without prior notice

	SECTORIEL S.A. 45, rue du Ruisseau 38290 Saint Quentin-Fallavier – FRANCE Tel.: +33 474 94 90 70 – Fax: +33 474 94 13 95 <a href="http://www.sectoriel.fr">www.sectoriel.fr</a> / email: sectoriel@sectoriel.fr	Pages	3/3
		Ref.	FT23010 GB
		Rev.	7
		Date	06/2012